

**THE OVERALL  
SOLUTION**

**2-Wheel  
MGB  
360**



# MGB360

Waste Containers

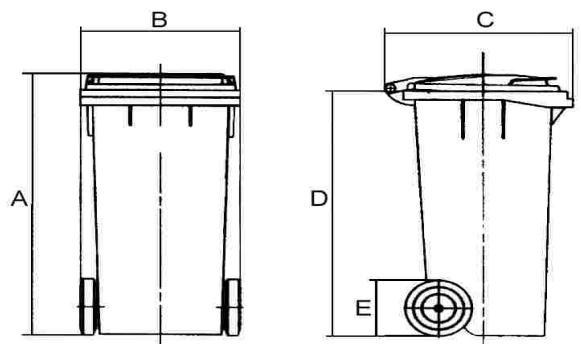
Latest technology modern design



## The OTTO Quality Difference

OTTO MGB are made of injection molded, durable plastic to withstand extremes in temperature and handling to ensure years of trouble free service. Injection molding is proven to be the most precise, consistent and reliable of all plastic molding processes.

- MGB compatible with all standard automated lift systems.
- Injection molded for durability and strength. Extra thick walls exceed industry standards.
- Dual wear strip engineered into construction for long bottom wear life.
- One piece attached lid - no assembly required.
- 300mm diameter wheels roll more easily, provides greater stability and are more durable
- Cart 'footprint' engineered for stability. Resists tipping and does not blow over - even in 40 mph winds.
- Lid has hand grip across entire back and around both front corners - very convenient to open.
- Molded recess allows foot to be placed directly on axle, providing leverage for maneuvering heavy loads.



| MGB                      | 360  |
|--------------------------|------|
| Nom. volume (L)          | 360  |
| Dead weight approx. (kg) | 22.2 |
| Usefull load (kg)        | 136  |
| A - Overall height (mm)  | 1181 |
| B - Overall width (mm)   | 670  |
| C - Overall depth (mm)   | 854  |
| D - Upper edge comb (mm) | 1092 |
| E - Wheel diameter (mm)  | 300  |

Distributor:



[www.ottoasiapac.com](http://www.ottoasiapac.com)